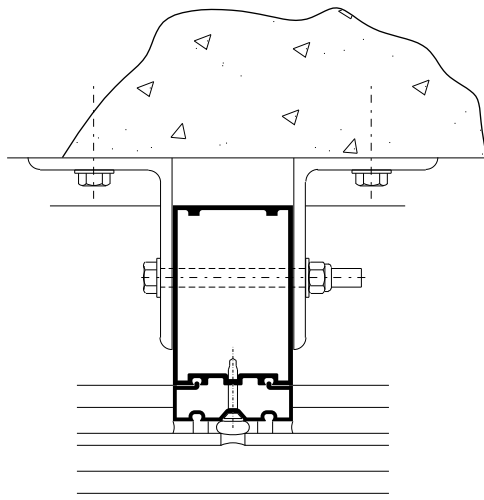
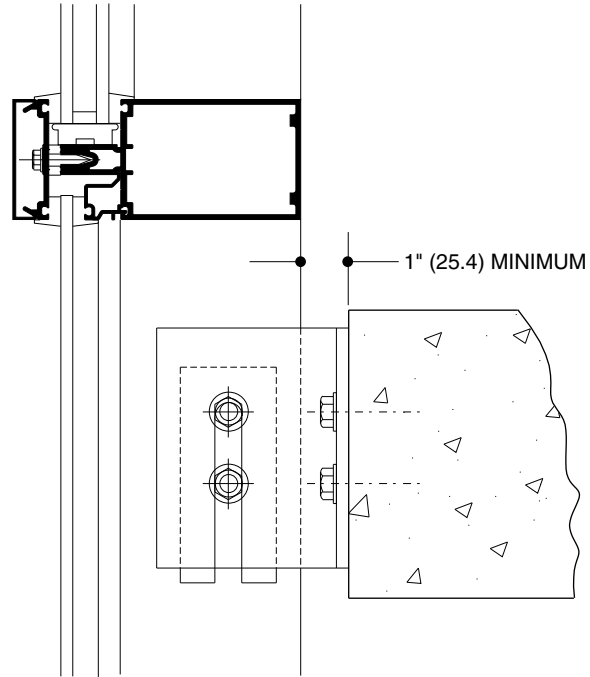


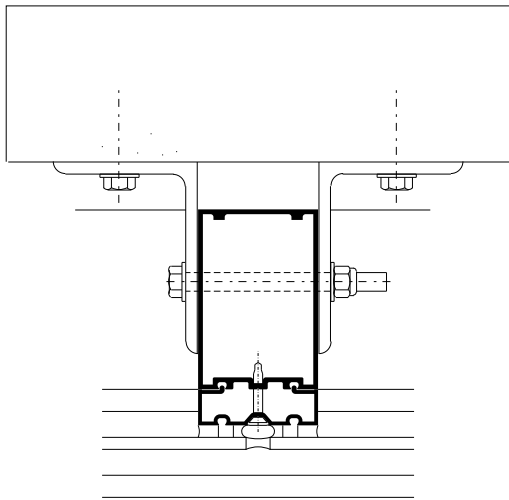
Actual project conditions will determine specific anchor design. Details on this page are for reference only.



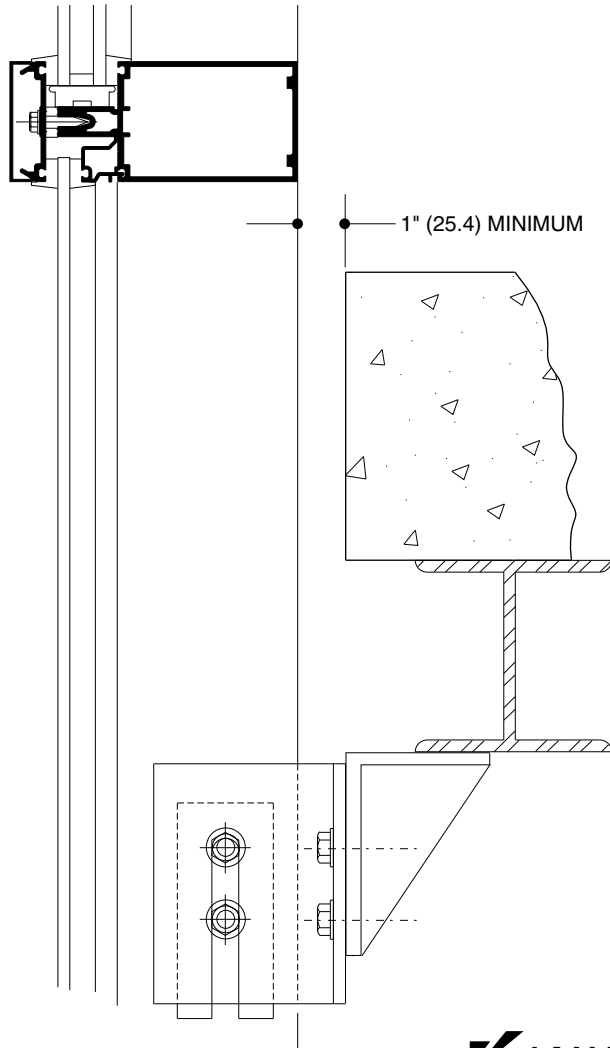
**ANCHORING TO FLOOR SLAB**



Laws and building and safety codes governing the design and use of glazed entrance, window, and curtain wall products vary widely. Kawneer does not control the selection of product configurations, operating hardware, or glazing materials, and assumes no responsibility therefor.



**ANCHORING TO SUPPORT STEEL**



Kawneer reserves the right to change configuration without prior notice when deemed necessary for product improvement.  
© Kawneer Company, Inc., 2007