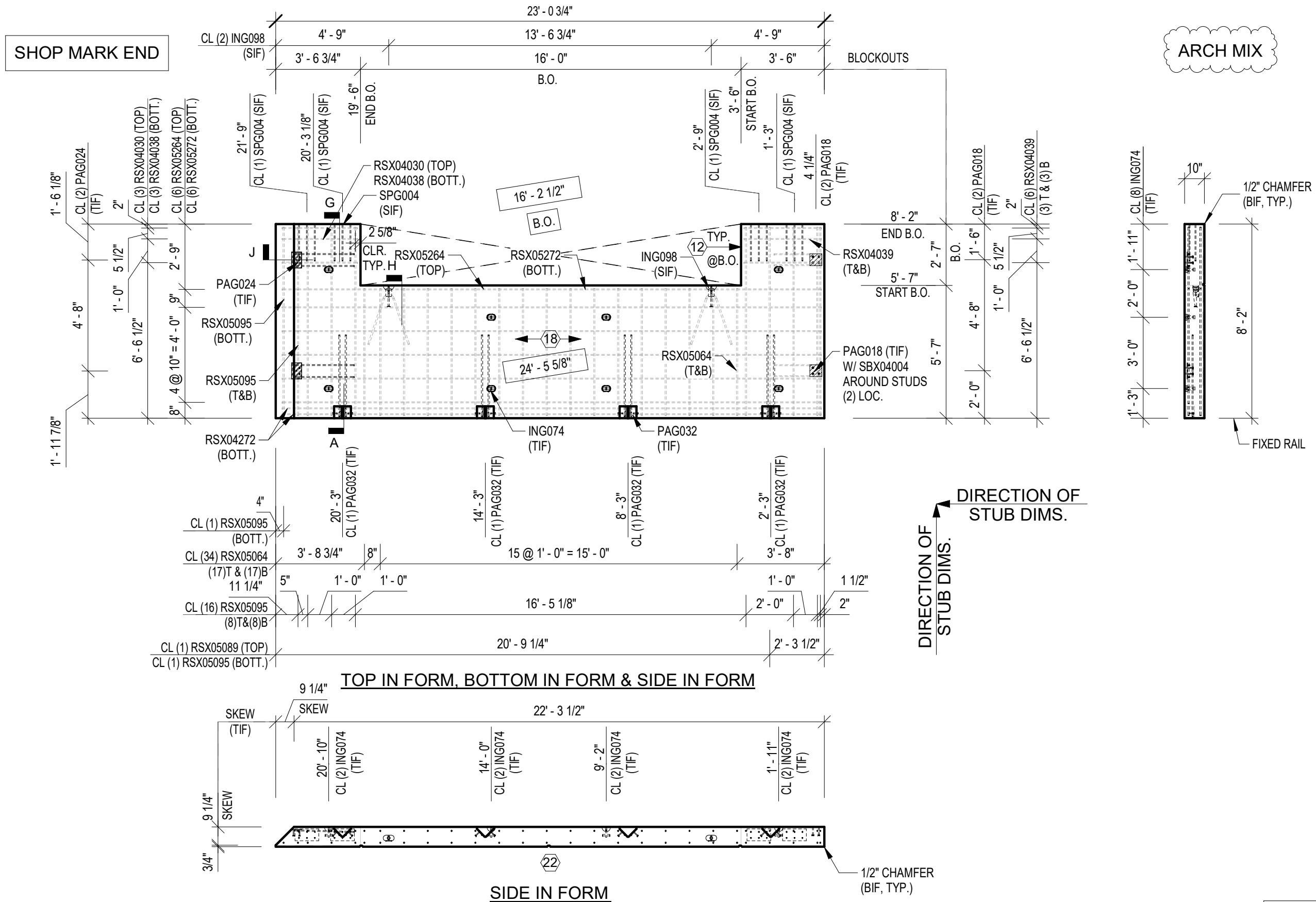
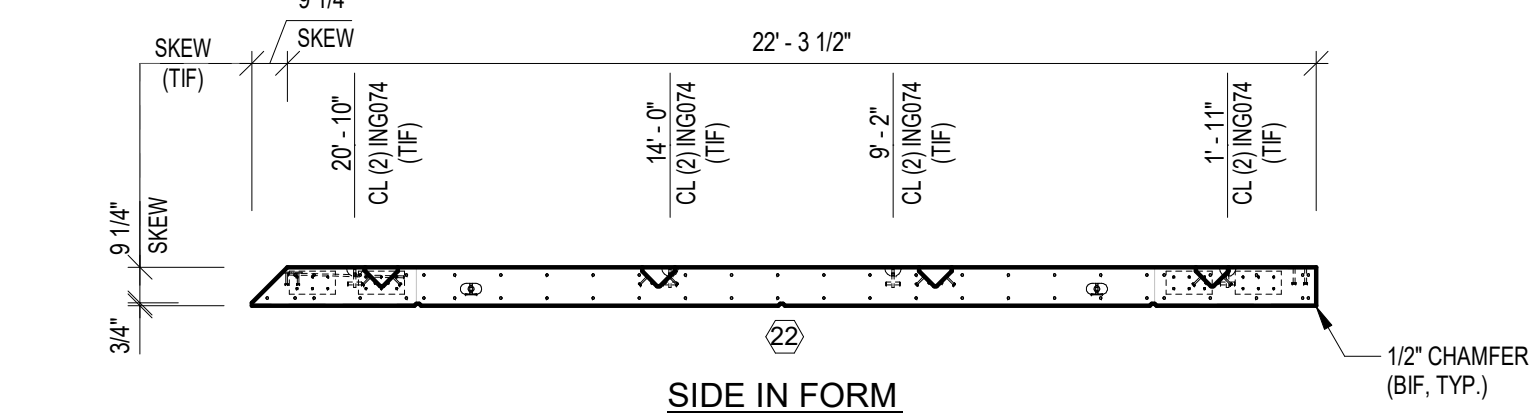


4/7/2020 8:48:15 AM C:\Users\ADMIN\Documents\18_19052 Dollar Tree North PG_haiap.rvt

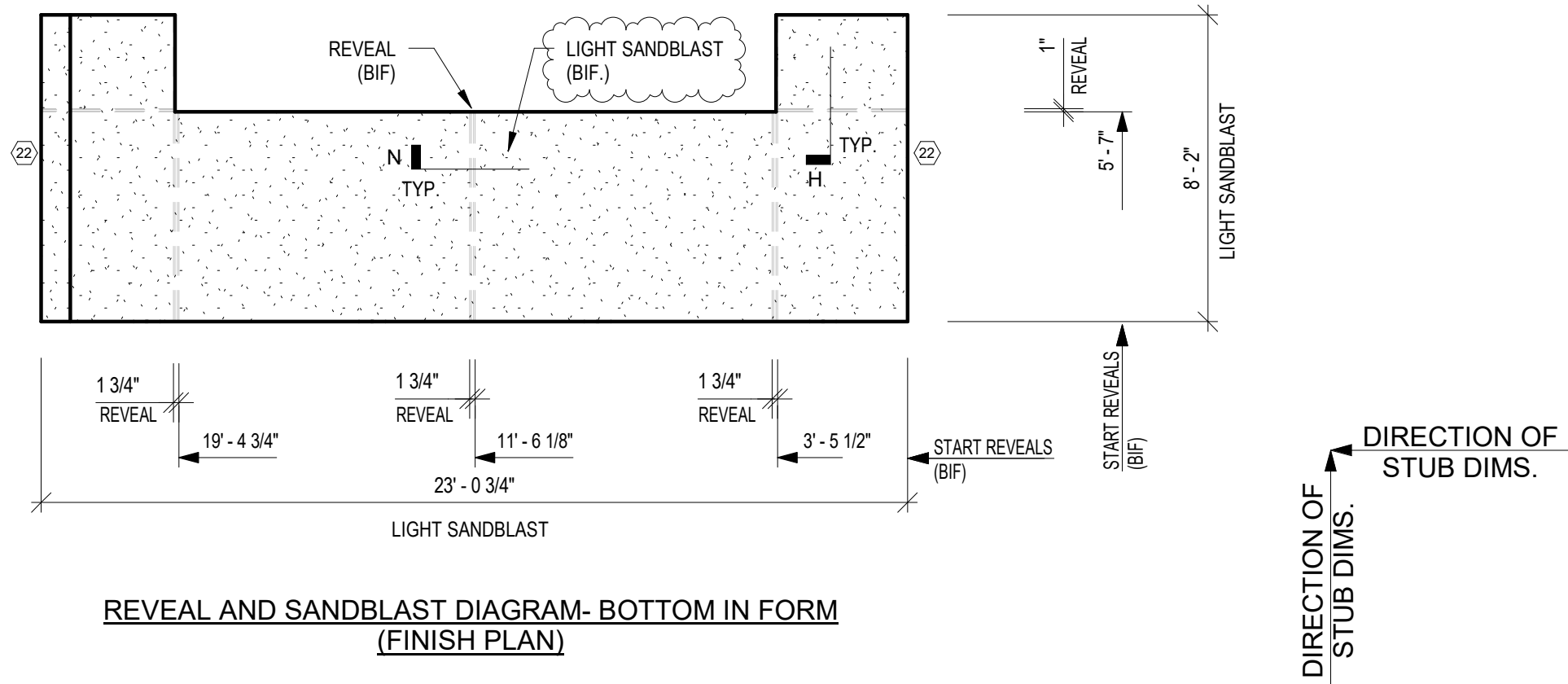


TOP IN FORM, BOTTOM IN FORM & SIDE IN FORM

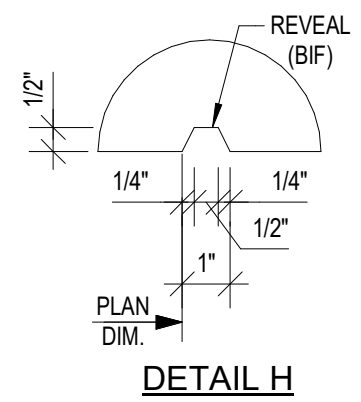


SHT. NO	QTY.
PC-409	1
MARK:	VERSION
WPA-023	1

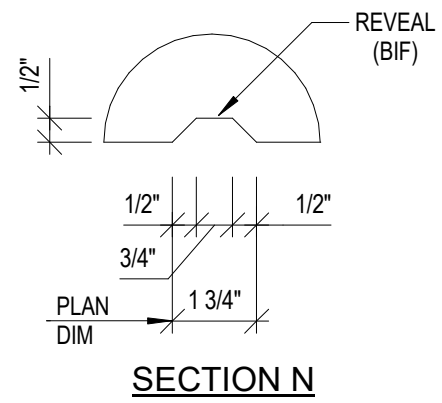
SHOP MARK END



**REVEAL AND SANDBLAST DIAGRAM- BOTTOM IN FORM
(FINISH PLAN)**



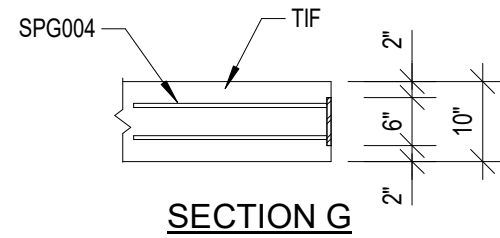
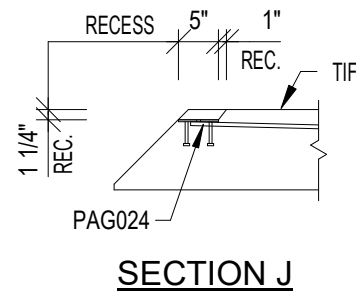
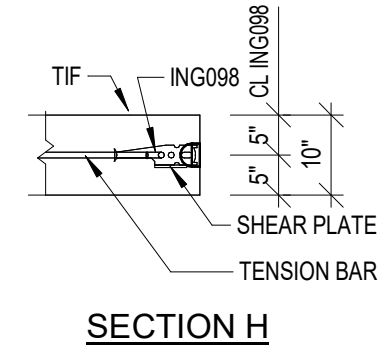
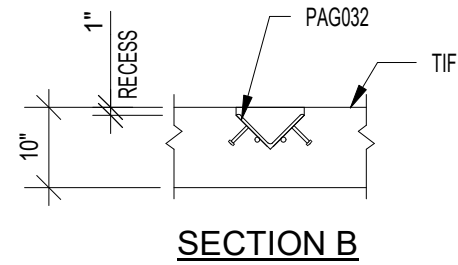
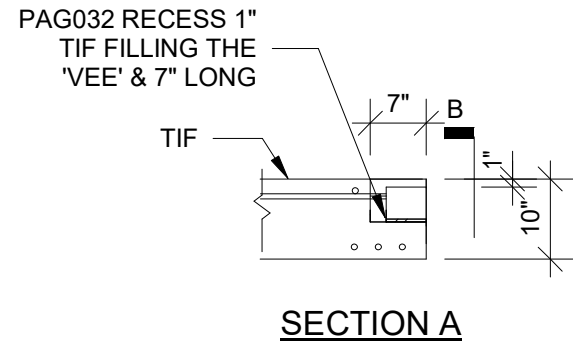
DETAIL H



SECTION N

4/7/2020 8:48:15 AM C:\Users\ADMIN\Documents\18_19052 Dollar Tree North PG_hatap.rvt

PLANT: TINDALL CORP. - VA DIVISION	PROJECT NAME: DOLLAR TREE NORTH P.G.	PROJECT NUMBER: 79324	DRAWN BY: HAP	CHECKED BY: KGA	PROJ. LEAD: MAH	ENGR. CHKD: AA	RELEASED FOR JOB USE:	DESIGN NO.:	CODE:	NO. REQ'D:	MARK: WPA-023	SHEETS: 2 OF 3	VERSION: 1
--	--	---------------------------------	-------------------------	---------------------------	---------------------------	--------------------------	-----------------------	-------------	-------	------------	-------------------------	--------------------------	----------------------



SANDBLAST

SHOP NOTES

PAG018	2	RSX04030	3
PAG024	2	RSX04038	3
PAG032	4	RSX04039	6
SPG004	4	RSX04264	6
ING074	8	RSX04272	8
ING098	2	RSX05064	34
		RSX05089	1
		RSX05095	18
		SBX04004	2

		CNA988	4.42
PART NO.	QTY	PART NO.	QTY

BILL OF MATERIAL

3000	6000	17930
RELEASE (PSI)	28 DAY (PSI)	WEIGHT IN LBS:

CONCRETE INFORMATION

TOP IN FORM:	18
FORMED SIDES:	1 12 22
ENDS:	15

FINISH INFORMATION

NO.	DATE	BY	DESCRIPTION	SH

VERSION INFORMATION

DRAWN BY:	CHECKED BY:	PROJ. LEAD:	ENGR. CHKD:
HAP	KGA	MAH	AA

DESIGN NO.	CODE:	RELEASED FOR JOB USE:
PRECAST	228	

PLANT:
TINDALL CORP. - VA. DIVISION

PROJECT NAME:
DOLLAR TREE NORTH P.G.

CONTROL NUMBERS:
1118

PROJECT NUMBER:	NO. REQ'D:	
79324	1	
MARK:	SHEETS:	VERSION:
WPA-023	3 OF 3	1
LENGTH:	WIDTH:	
23.17	8.17	