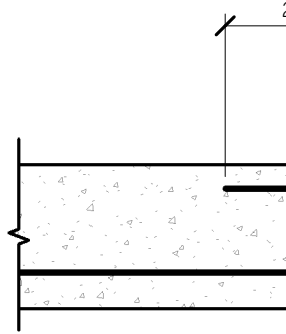
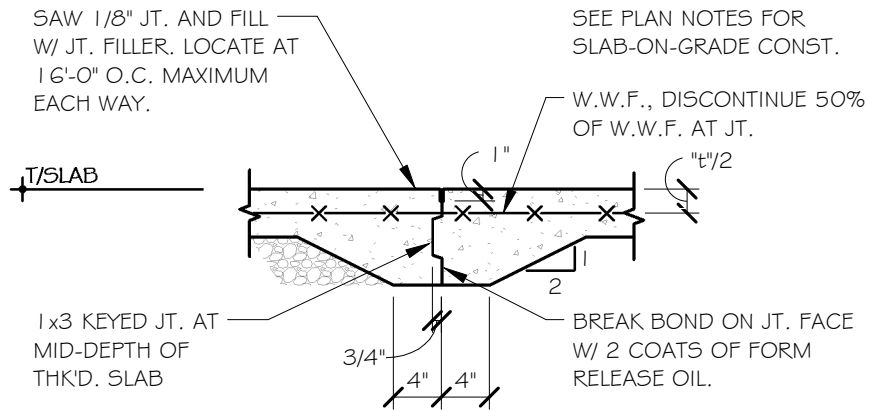


1A TYP. CONTROL JOINT
3/4" = 1'-0"



NUMBER AND SIZE OF DWLS. TO MATCH FTG. REINF.



1B TYP. CONSTRUCTION JOINT
3/4" = 1'-0"

DO NOT STEP FOOTINGS GREATER THAN 1 VERT: 2 HORIZ. UNLESS TSHOWN OTHERWISE ON PLAN.

2 TYP.
3/4"