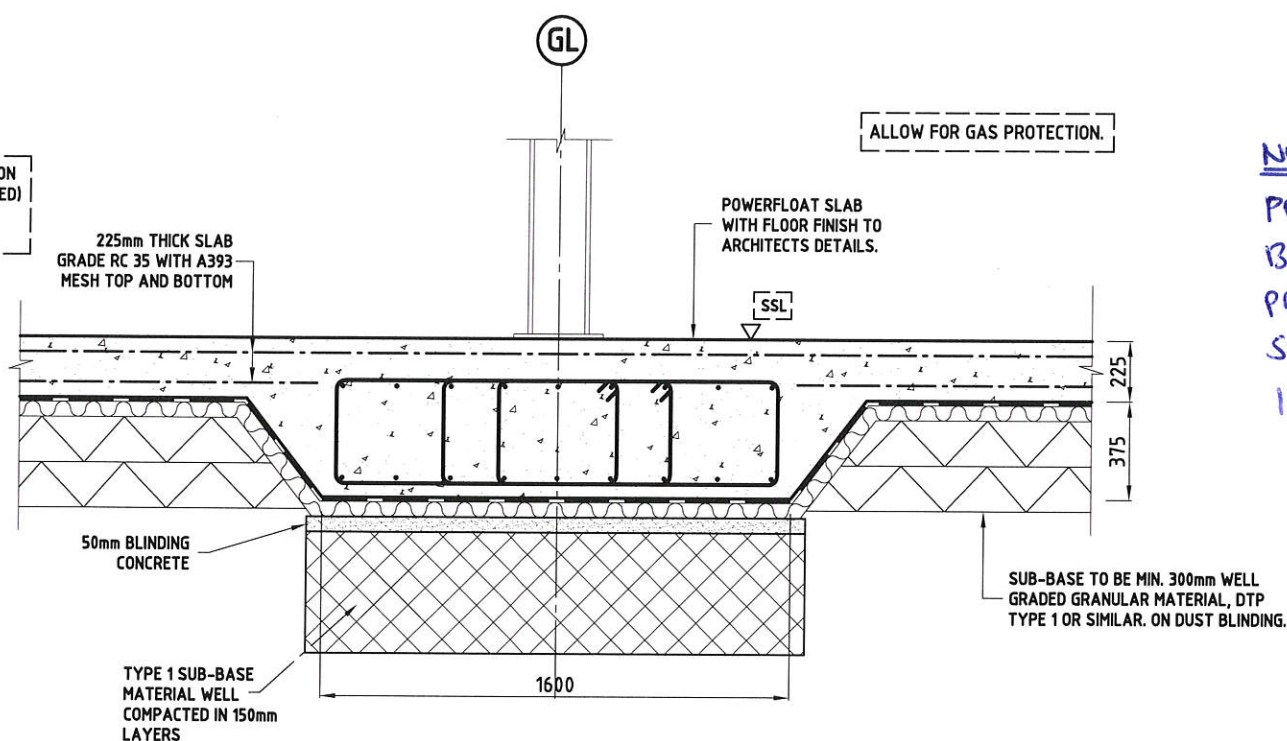
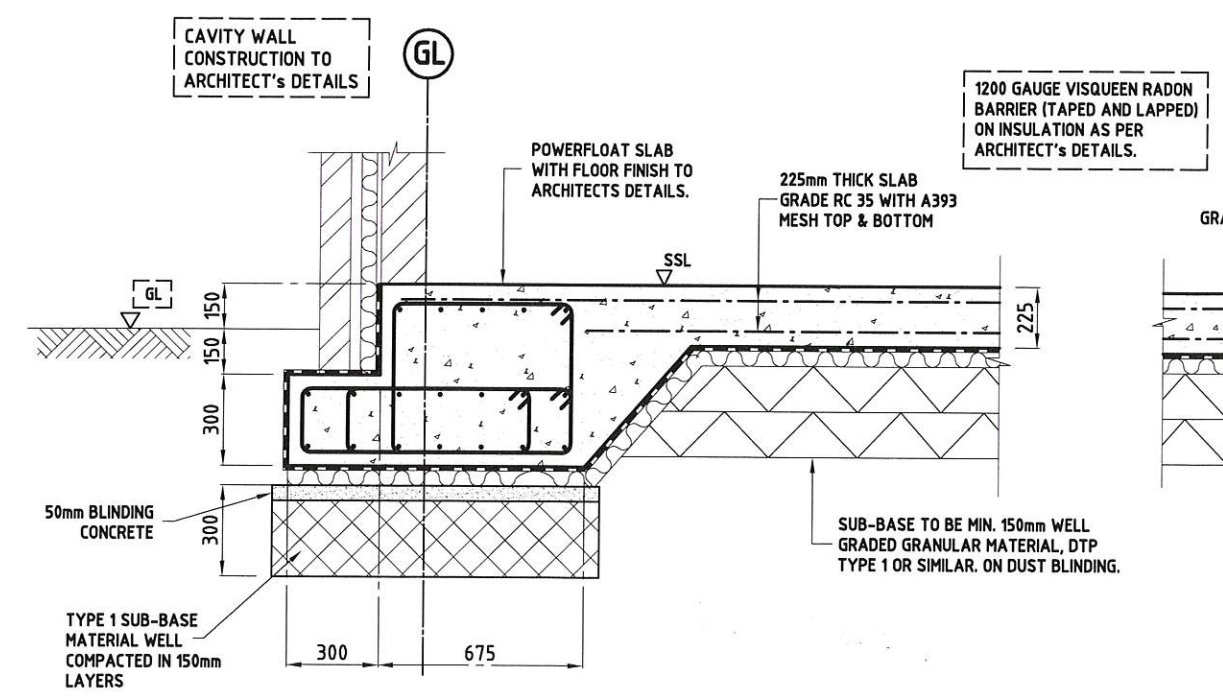


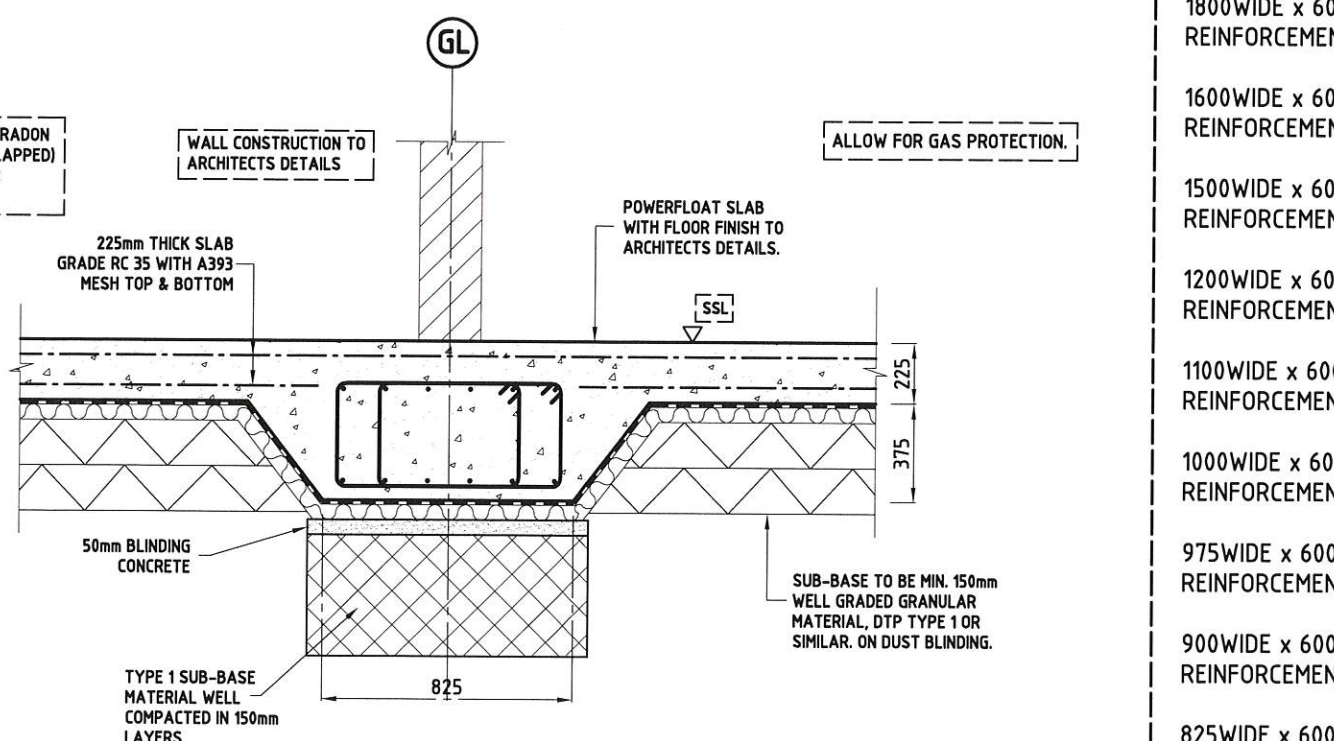
SECTION 1-1 (SCALE 1:25)



SECTION 2-2 (SCALE 1:25)



SECTION 3-3 (SCALE 1:25)



SECTION 4-4 (SCALE 1:25)

NOTE:
 PROPOSED FOUNDATIONS
 BASED ON GROUND BEARING
 PRESSURE OF 75kN/m²
 SUBJECT TO SITE
 INVESTIGATION REPORT.

ALL FOOTINGS TO BE REINFORCED CONCRETE GRADE RC35 CONCRETE
1800WIDE x 600DEEP REINFORCEMENT = 100Kg/m
1600WIDE x 600DEEP REINFORCEMENT = 90Kg/m
1500WIDE x 600DEEP REINFORCEMENT = 80Kg/m
1200WIDE x 600DEEP REINFORCEMENT = 70Kg/m
1100WIDE x 600DEEP REINFORCEMENT = 65Kg/m
1000WIDE x 600DEEP REINFORCEMENT = 50Kg/m
975WIDE x 600DEEP REINFORCEMENT = 70Kg/m
900WIDE x 600DEEP REINFORCEMENT = 45Kg/m
825WIDE x 600DEEP REINFORCEMENT = 50Kg/m

PROPOSED TYPICAL SECTIONS