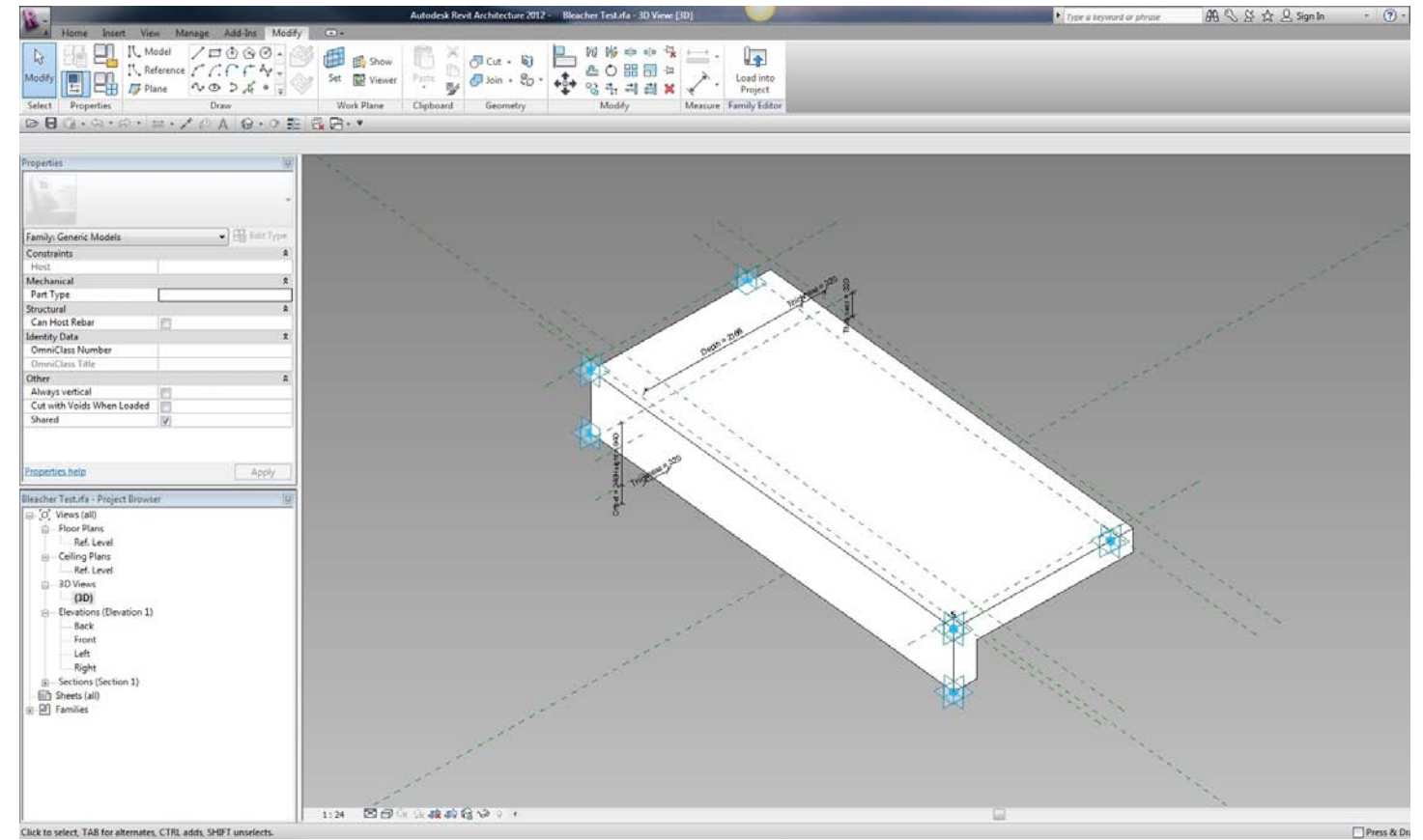
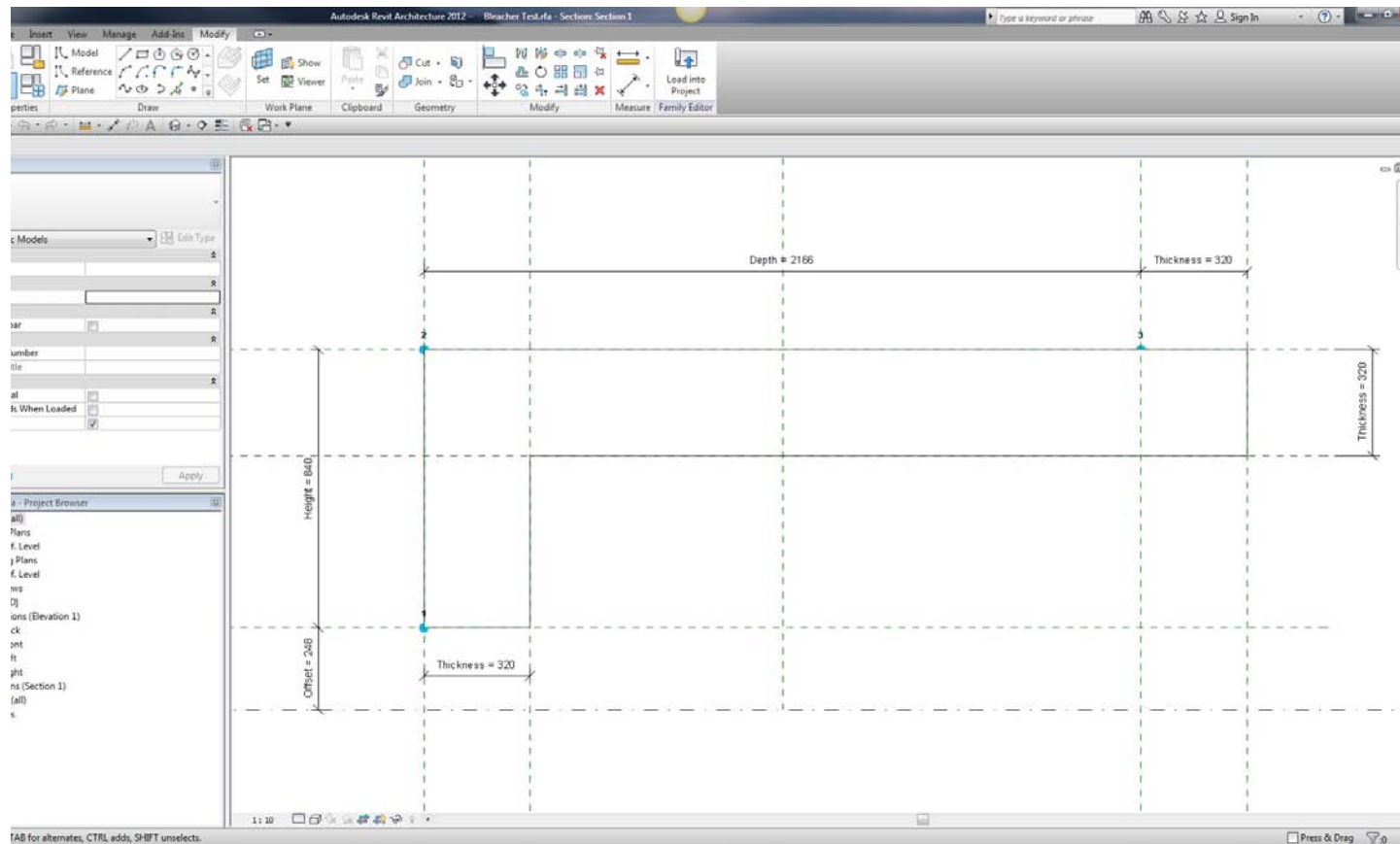


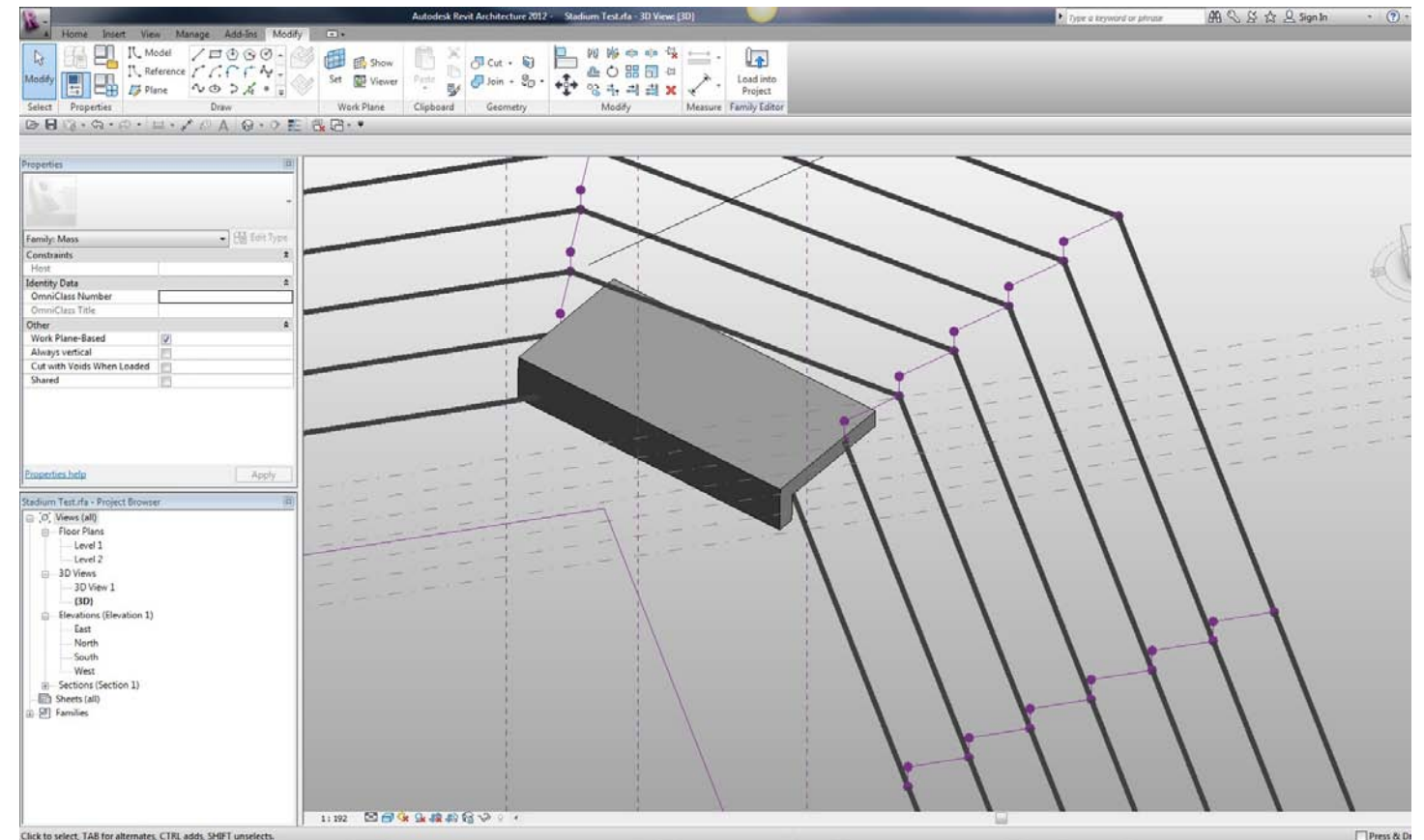
3D View



Click to select, TAB for alternates, CTRL adds, SHIFT unselects.



TAB for alternates, CTRL adds, SHIFT unselects.



Click to select, TAB for alternates, CTRL adds, SHIFT unselects.