

Properties

3D View

3D View: cut - structure

Graphics

View Scale: 1 : 20

Scale Value 1: 20

Detail Level: Medium

Parts Visibility: Show Original

Visibility/Graphics Overri... Edit...

Graphic Display Options Edit...

Discipline: Architectural

Default Analysis Display ... None

Sun Path

Identity Data

View Name: cut - structure

Dependency: Independent

Title on Sheet

Default View Template: None

Workset: View "3D View: cut - st...

Edited by: Mobile

Extents

Crop View

Crop Region Visible

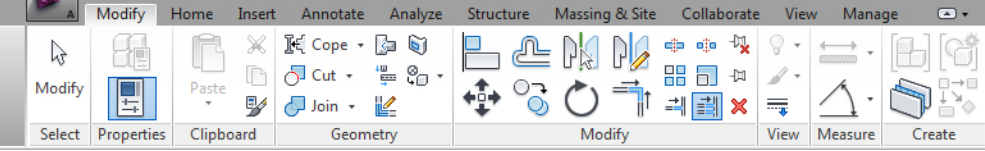
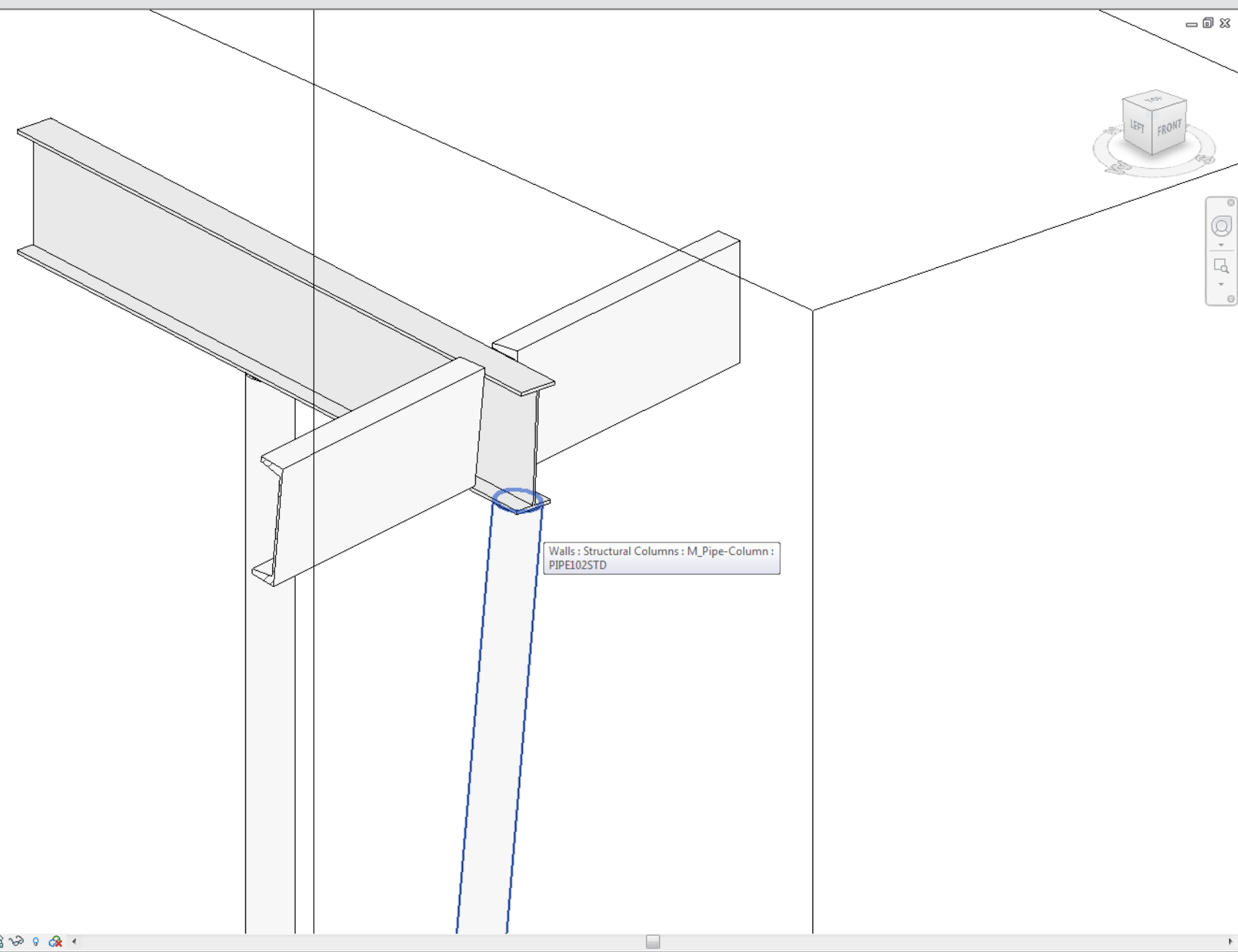
Properties help

Apply

2012-04-16 Schematic Design - ksenia - Project Browser

Views (all)

- Floor Plans
  - 11x17 top of floor slab
  - Level 1 - working
  - Level 1 furniture - top of floor slab
  - Site
  - top of floor slab
  - top of roof
  - top of soffit
- Ceiling Plans
  - Sea Level
  - top of floor slab
  - top of roof
  - top of soffit
- 3D Views
  - 3D View - Hall1
  - 3D View - Hall straight
  - 3d view - lobby
  - 3D view - mayor's office
  - 3D View - office
  - 3D View - office elev
  - 3D View - open space
  - 3d View for sheets
  - back view
  - cut - full structure2
  - cut - portion of structure



Properties

3D View

3D View: cut - structure

Graphics

View Scale: 1 : 20

Scale Value 1: 20

Detail Level: Medium

Parts Visibility: Show Original

Visibility/Graphics Overri... Edit...

Graphic Display Options Edit...

Discipline: Architectural

Default Analysis Display ... None

Sun Path

Identity Data

View Name: cut - structure

Dependency: Independent

Title on Sheet

Default View Template: None

Workset: View "3D View: cut - st...

Edited by: Mobile

Extents

Crop View

Crop Region Visible

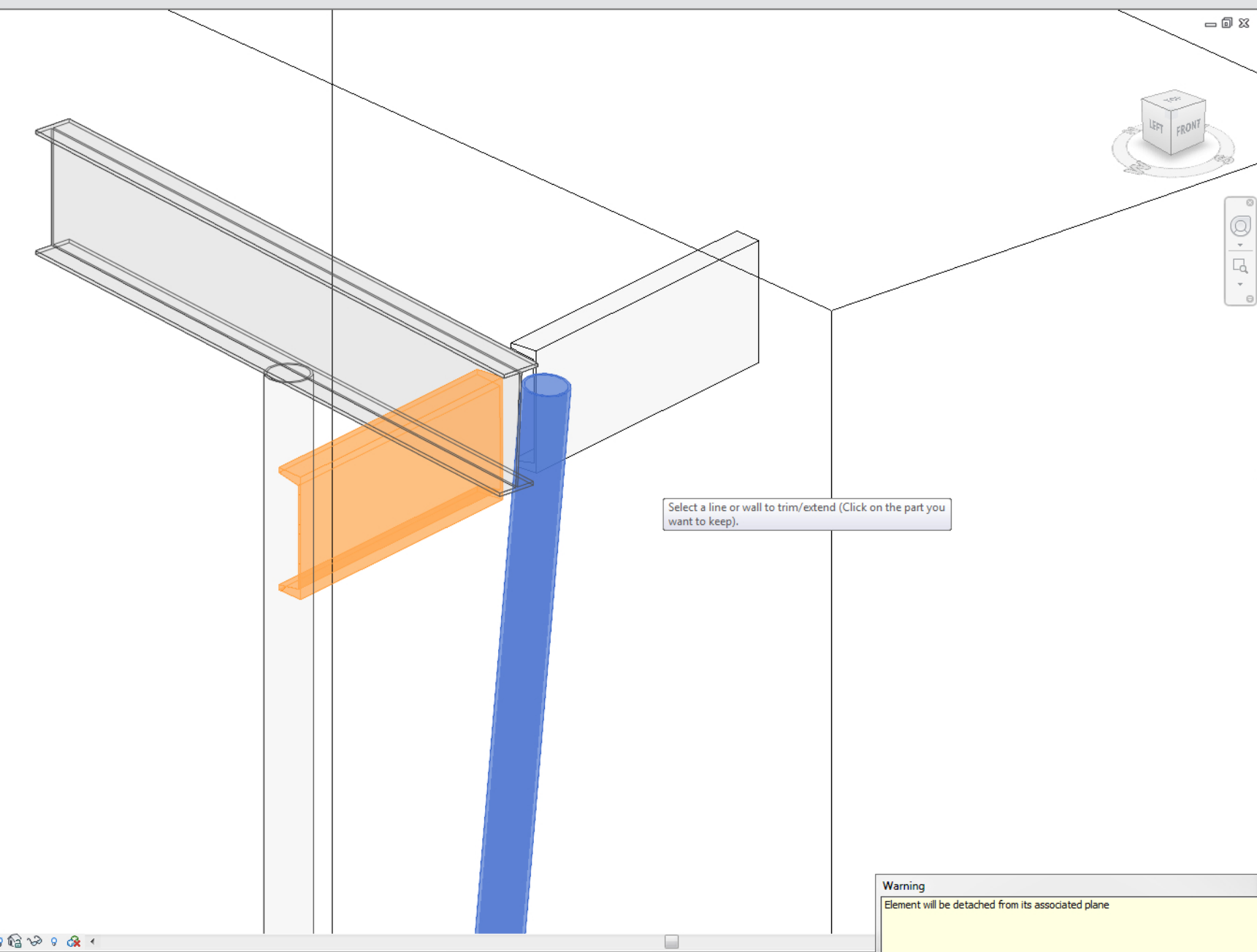
Properties help

Apply

2012-04-16 Schematic Design - ksenia - Project Browser

Views (all)

- Floor Plans
  - 11x17 top of floor slab
  - Level 1 - working
  - Level 1 furniture - top of floor slab
  - Site
  - top of floor slab
  - top of roof
  - top of soffit
- Ceiling Plans
  - Sea Level
  - top of floor slab
  - top of roof
  - top of soffit
- 3D Views
  - 3D View - Hall1
  - 3D View - Hall straight
  - 3d view - lobby
  - 3D view - mayor's office
  - 3D View - office
  - 3D View - office elev
  - 3D View - open space
  - 3d View for sheets
  - back view
  - cut - full structure2
  - cut - portion of structure



Warning

Element will be detached from its associated plane